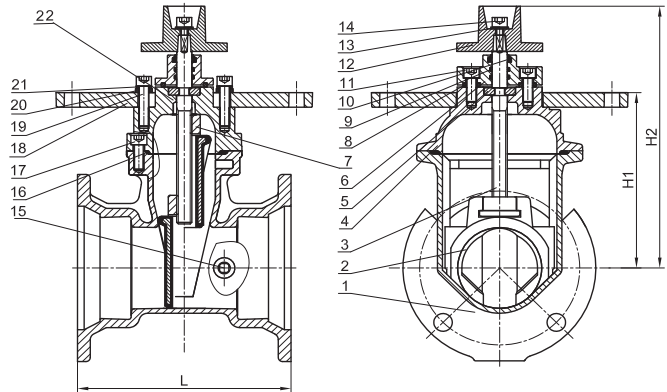
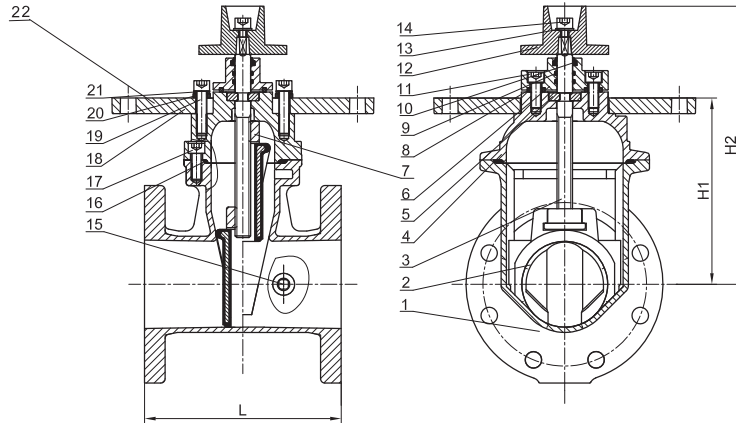


**AWWA C515
Resilient Seat
POST INDICATOR
GATE VALVES**

**Model 2010-PIV-Series A
Non Rising Stem (3"-12")**



Available:
Flange Ends
MJ x MJ Ends

Description:

1. Conforms to AWWA C515, MSS-SP-70
2. MJ dimensions conform to AWWA C111/A21.11
3. Flange drilling to ANSI 125/150.
4. Fusion Bond Epoxy Coated Interior and Exterior to AWWA C550 Standard.
5. Compatible with all industry standard Vertical Indicator Posts. NFPA 24.
7. Working Pressure: 3"~12" - 300 psi
8. Temperature: -23°C (-10°F) to 110°C (230°F)

MATERIAL LIST

Item No.	Description	Material	No.	Description	Material
1	Body	Ductile Iron ASTM A536 65-45-12	12	Wrench Nut	Ductile Iron ASTM A536 65-45-12
2	Wedge	EPDM Encapsulated DI	13	Washer	SS ASTM 304
3	Stem	SS AISI 304	14	Hex Socket Cap Screw	ASTM SS304 GR 8.8
4	Bonnet	Ductile Iron ASTM A536 65-45-12	15	Plug	SS ASTM 304
5	Thrust Collar	Bronze ASTM C51100	16	Gasket	EPDM
6	Gland	Ductile Iron ASTM A536 65-45-12	17	Hex Socket Cap Screw	ASTM SS304 GR 8.8
7	Disc Nut	ASTM B62	18	Post Flange	Ductile Iron ASTM A536 65-45-12
8	Seat Ring	EPDM	19	Hex Socket Cap Screw	ASTM SS304 GR 8.8
9	O-Ring	EPDM	20	Washer	Carbon Steel
10	Dust Proof Cover	EPDM	21	Lock Washer	Carbon Steel
11	Hex Socket Cap Screw	ASTM SS304 GR 8.8	22	O-Ring	EPDM

DIMENSIONAL DATA

Dimensions in inches

Size	Part No. (MJ x MJ)	L	H1	H2	Post Flange	Part No. (FL x FL)	L	H1	H2	Post Flange	No. of Turns to Open
3"	2010MM-PIV-130-A	9.5	7.59	12.00	12	2010FF-PIV-130-A	8	7.59	12.00	12	16
4"	2010MM-PIV-140-A	10	8.54	12.75	12	2010FF-PIV-140-A	9	8.54	12.75	12	20
6"	2010MM-PIV-160-A	11.5	12.28	16.84	12	2010FF-PIV-160-A	10.5	12.28	16.84	12	30
8"	2010MM-PIV-180-A	12.5	15.62	21.13	12	2010FF-PIV-180-A	11.5	15.62	21.13	12	20
10"	2010MM-PIV-200-A	14.75	19.36	25.18	12	2010FF-PIV-200-A	13	19.36	25.18	12	25
12"	2010MM-PIV-220-A	14.88	22.74	28.45	12	2010FF-PIV-220-A	14	22.74	28.45	12	30



WARNING: This product can expose you to chemicals including lead, which is known to the State of California to cause cancer and birth defects or other reproductive harm. For more information go to www.P65Warnings.ca.gov.



United Water Products
8710 Air Park West Drive, Charlotte, NC 28214
TEL. 401-250-3800

Website: www.unitedwaterproducts.com

**AWWA C515
Resilient Seat
POST INDICATOR
GATE VALVES**

**Model 2010-PIV-Series A
Non Rising Stem (14"-24")**

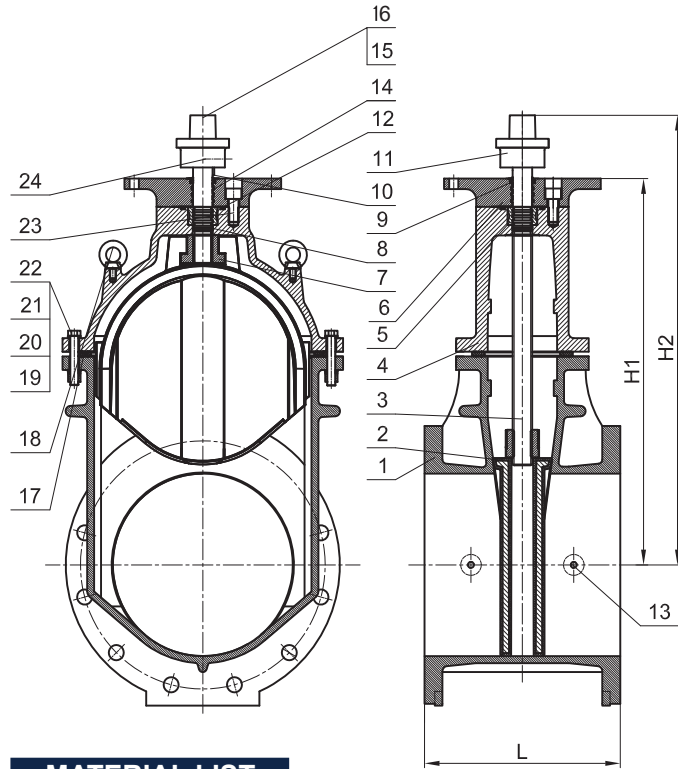
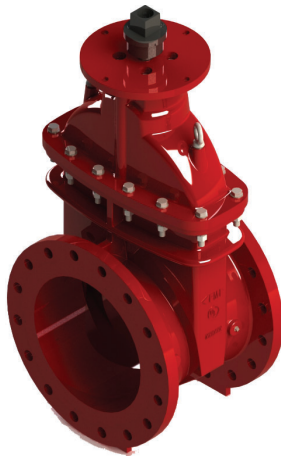


APPROVED



Certified to NSF/ANSI 61 NSF/ANSI 572

Available:
Flange Ends



Description:

1. Conforms to AWWA C515, MSS-SP-70
2. MJ dimensions conform to AWWA C111/A21.11
3. Flange drilling to ANSI 125/150.
4. Fusion Bond Epoxy Coated Interior and Exterior to AWWA C550 Standard.
5. Compatible with all industry standard Vertical Indicator Posts. NFPA 24.
7. Working pressure: 14"~18" - 250 psi
20" & 24" - 200 psi
8. Temperature: -23°C (-10°F) to 110°C (230°F)

MATERIAL LIST

Item No.	Description	Material	Item No.	Description	Material
1	Body	Ductile Iron, ASTM A536 65-45-12	13	Square Pipe Plug	ASTM SS 304
2	Seat Rubber Coating	EPDM	14	O-Ring	EPDM
3	Shaft	AISI SS 304	15	Spring Washer	ASTM SS 304
4	Cover	Ductile Iron, ASTM A536 65-45-12	16	Hex Cylinder Head Screw	ASTM SS304 GR 8.8
5	Split Ring	ASTM B62 C83600	17	Gasket	EPDM
6	Seal Seat	Ductile Iron, ASTM A536 65-45-12	18	Lifting Bolt	Steel
7	Plate Nut	ASTM B62 C83600	19	Bolt	ASTM SS 304 GR 8.8
8	O-Ring	EPDM	20	Spring Washer	ASTM SS 304
9	Dust Cover	EPDM	21	Nut	ASTM SS 304
10	Key (A Type)	ASTM A1045	22	Washer	ASTM SS 304
11	Square Head	Ductile Iron, ASTM A536 65-45-12	23	Hex Cylinder Head Screw	ASTM SS 304 GR 8.8
12	O-Ring	EPDM	24	Allen Long Cylindrical Side Set Screws	ASTM SS 304 GR 8.8

Design and materials are subject to change without notice.

DIMENSIONAL DATA

Dimensions in inches

Size	Part No.	L	H1	H2	Post Plate	No. of Turns to Open
14"	2010FF-PIV-240-A	15	29.16	33.92	12	29
16"	2010FF-PIV-260-A	16	32.00	36.91	12	33.5
18"	2010FF-PIV-280-A	17	36.83	41.59	12	37.5
20"	2010FF-PIV-300-A	18	40.18	44.94	12	42
24"	2010FF-PIV-340-A	20	46.16	50.96	12	50



United Water Products
8710 Air Park West Drive, Charlotte, NC 28214
TEL. 401-250-3800

Website: www.unitedwaterproducts.com

Cv for 2010 Series A NRS Gate Valve



Size	Cv (Fully Open)
2"	301
2.5"	500
3"	796
4"	1579
6"	3552
8"	6314
10"	10465
12"	15069
14"	20510
16"	26789
18"	33905
20"	41858
24"	60276

Cv Calculation: $Cv = Q / (\Delta P)^{1/2}$

Q is the volume flow rate, the unit Usgal/min

ΔP is the pressure drop, the unit is $(\text{lbf/in}^2)^{1/2}$

The unit of Cv is

$$\frac{\text{Usgal/min}}{(\text{lbf/in}^2)^{1/2}}$$